

Performance

Modular

Aesthetics

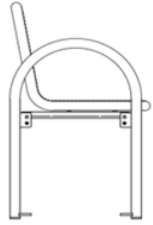
ERLAU®

Installation Guide

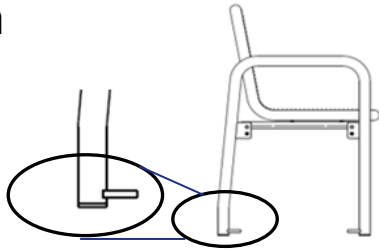
Benches & Seating Systems

Installation

Bench System



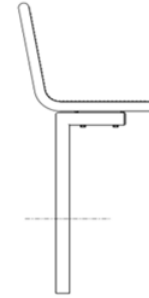
Siesta



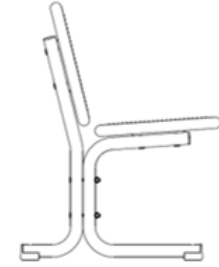
Charisma



Stella

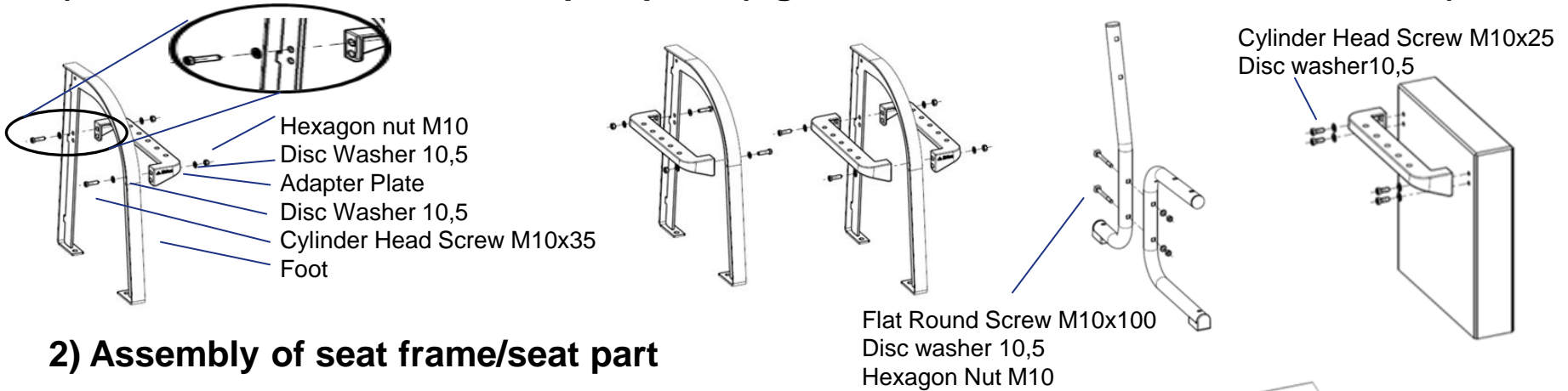


Siena

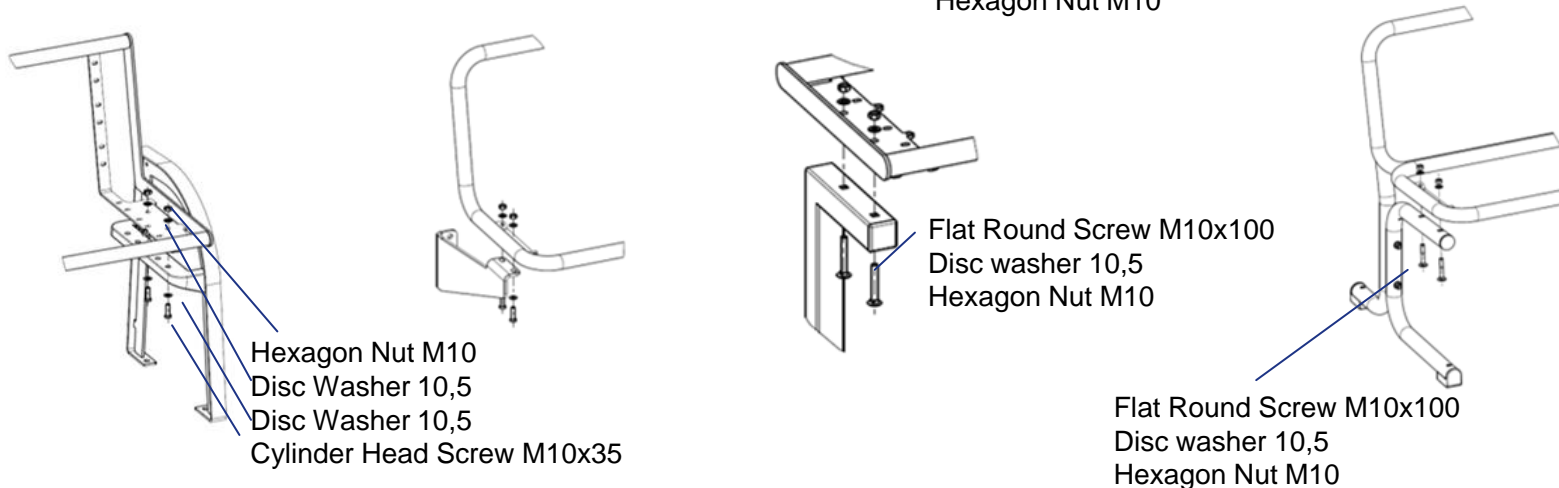


Piazza

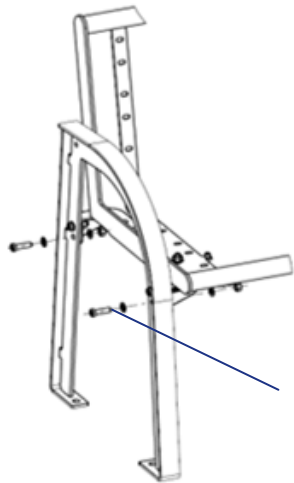
1) Pre-assemble feet with adapter plate (right, left, both for Bench with no ends)



2) Assembly of seat frame/seat part

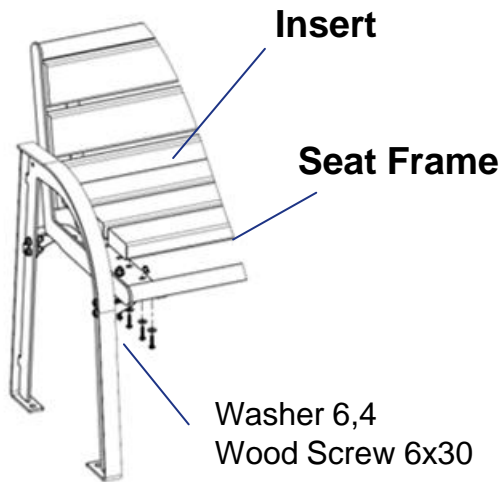


3) Align the bench frame and tighten all screws

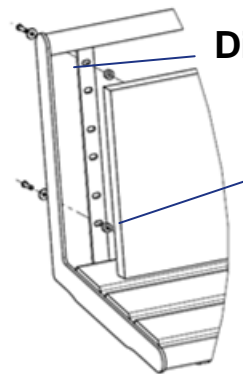


Cylinder Head Screw M10x35
2x Disc Washers 10,5
Hexagon Nut M10

4) Frame assembly



Washer 6,4
Wood Screw 6x30
or
Lens head screw M6x25

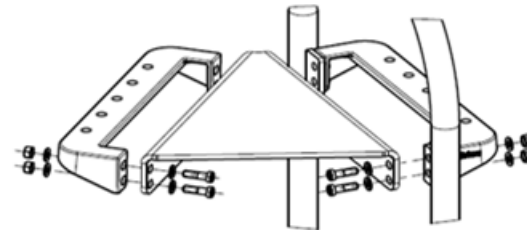


Distance piece

Individual printed back rest

5) Accessories (if required for multiple linked benches)

Corner Adapter

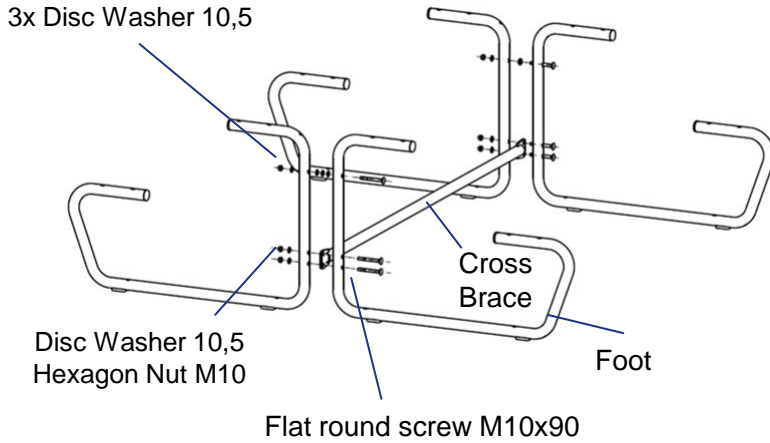


Mounting torque A2-70 Screws: M6 – 6 Nm, M8 – 16 Nm, M10 – 32 Nm
Maintenance- and Cleaning advice please see on www.erlau.com

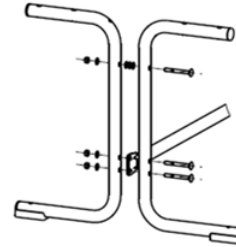
Installation

Seating/ Table System

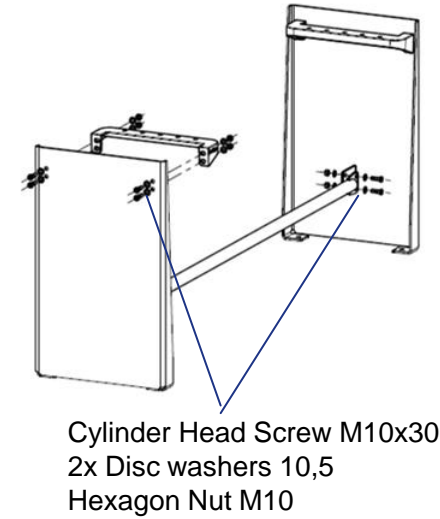
1) Pre-assembly base frame



Tabula Table Frame

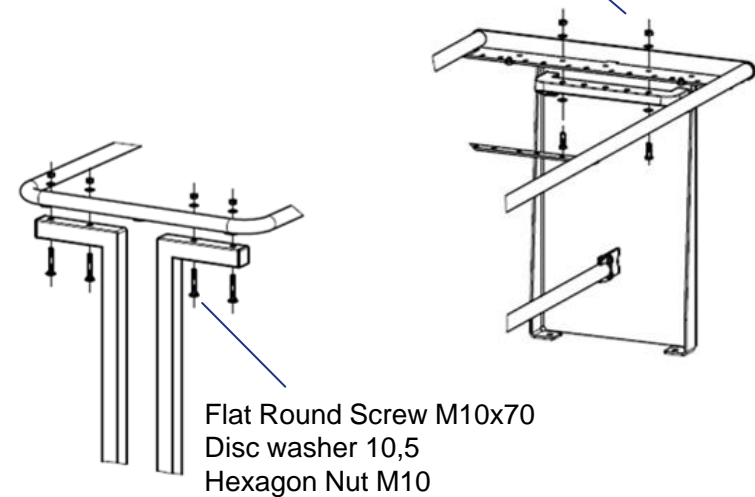
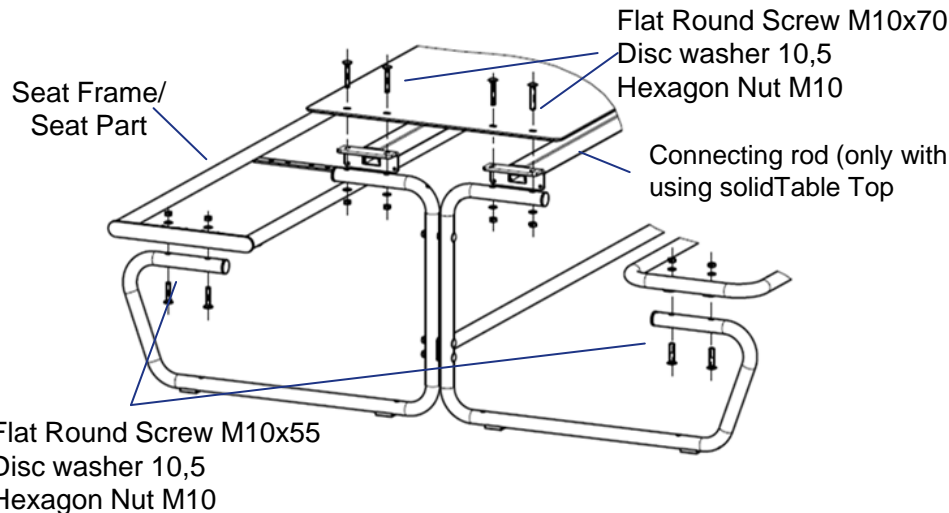


Quadri Maxi Table Frame

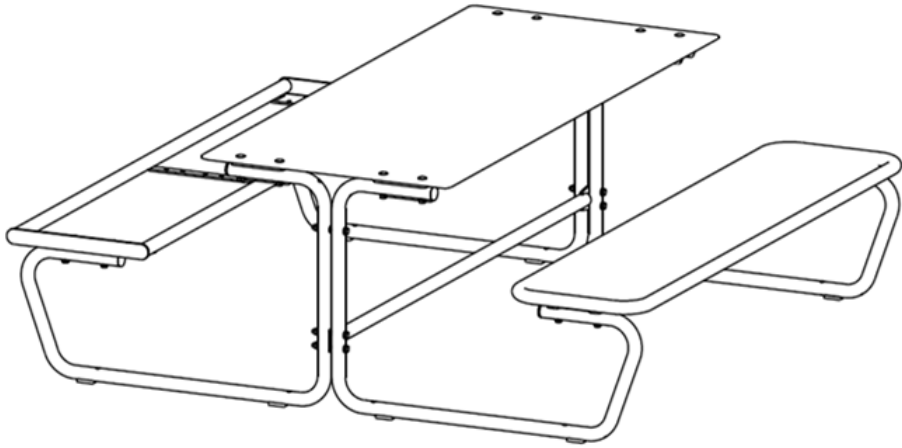


Parador Picnic Table Frame

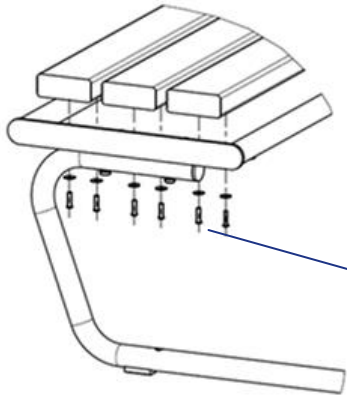
2) Assemble seating frame/ seat part/ table frame/ table top



3) Align seating parts/table and tighten all screws



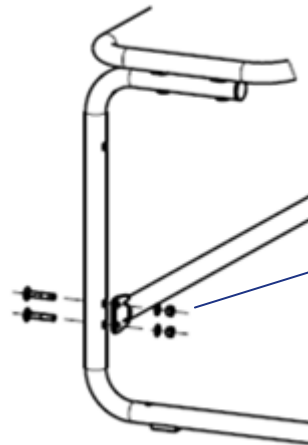
4) Insert assembly



Washer 6,4
Wood Screw 6x30
or
Lens head screw M6x25

Note: Bambus-Inserts should be assembled with a cordless screwdriver

5) Simpler model

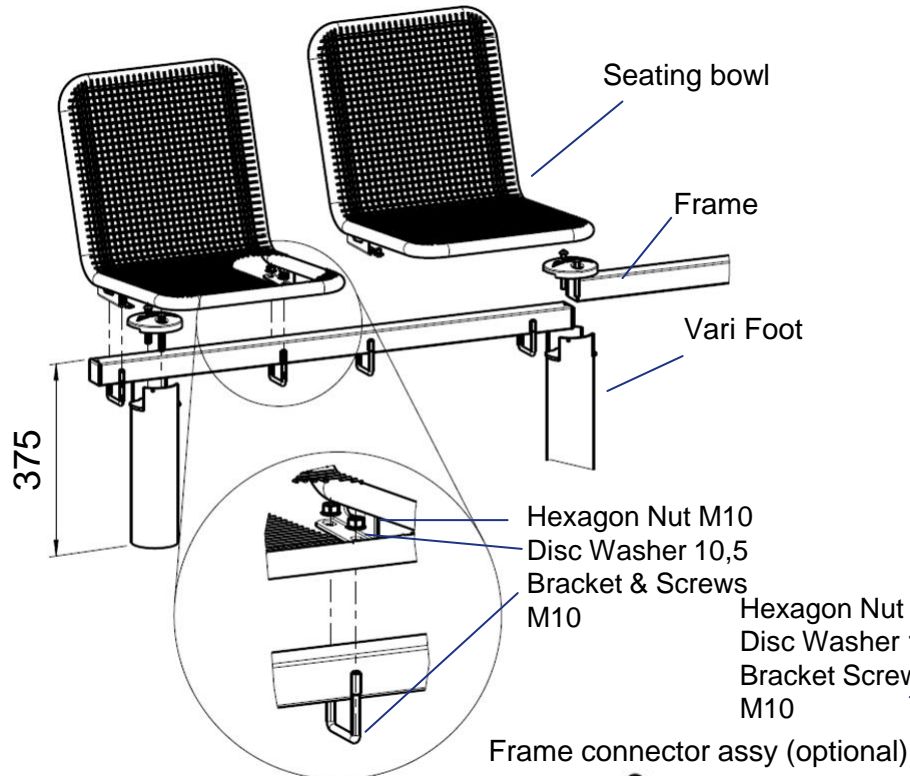


Flat Round Screw M10x55
Disc washer 10,5
Hexagon Nut M10

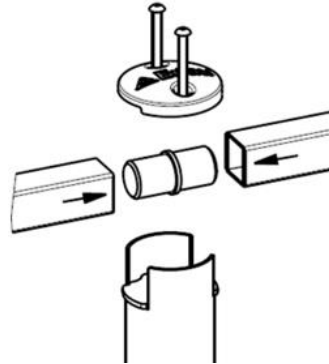
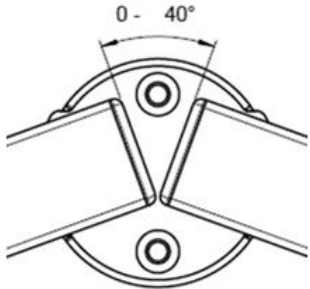
Simpler model should be fixed into the ground !

Installation

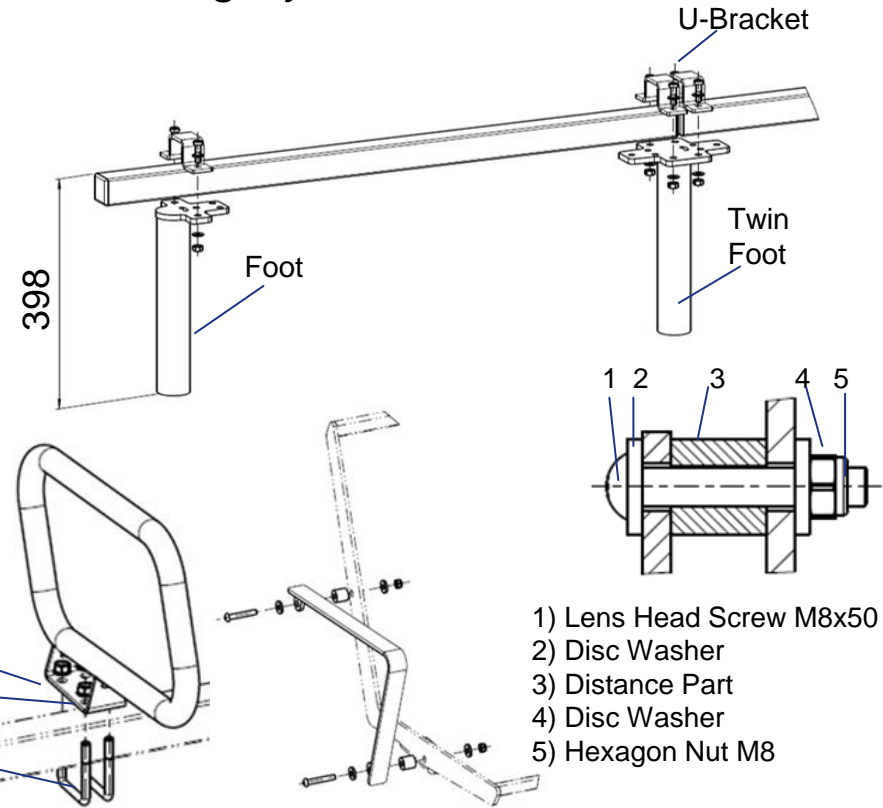
Seating System Vari Feet



Optional: Angled installation



Seating System Nova Feet



Armrest
for Allegro

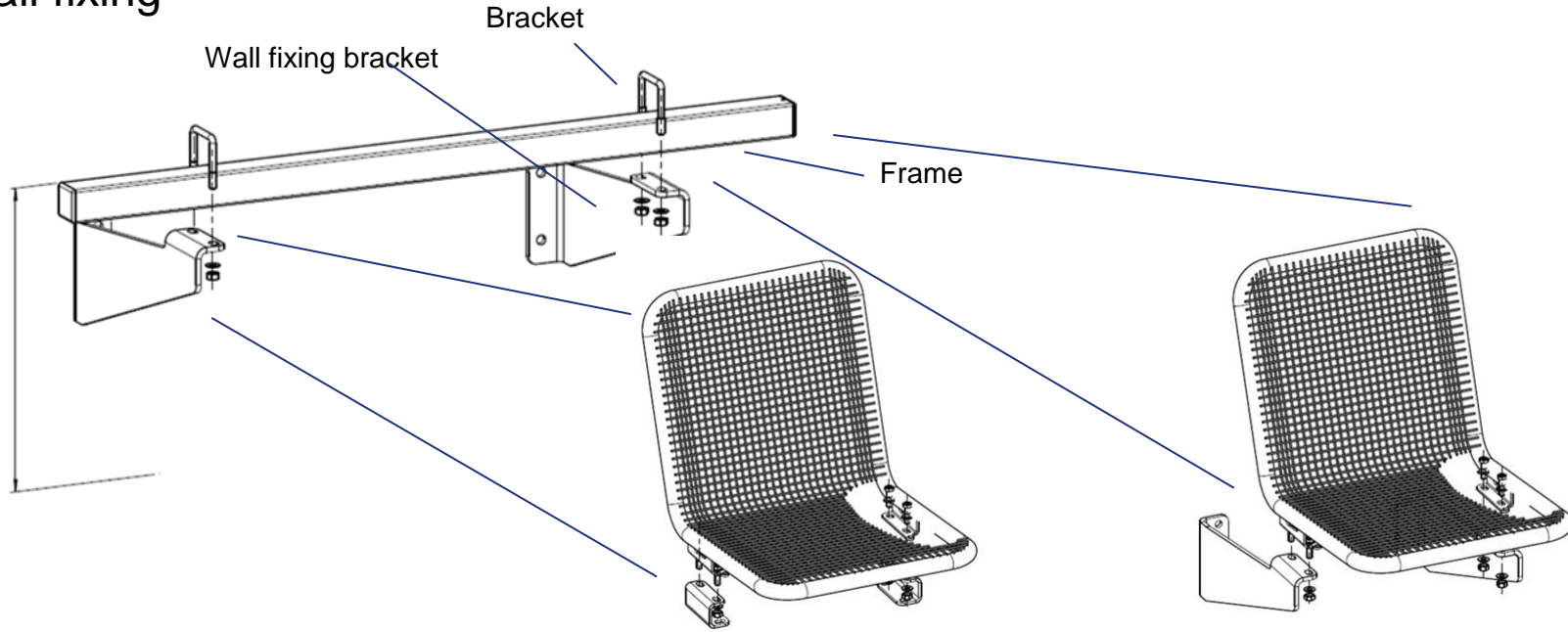
Armrest
for Topsit

Mounting torque A2-70 Screws: M6 – 6 Nm, M8 – 16 Nm, M10 – 32 Nm

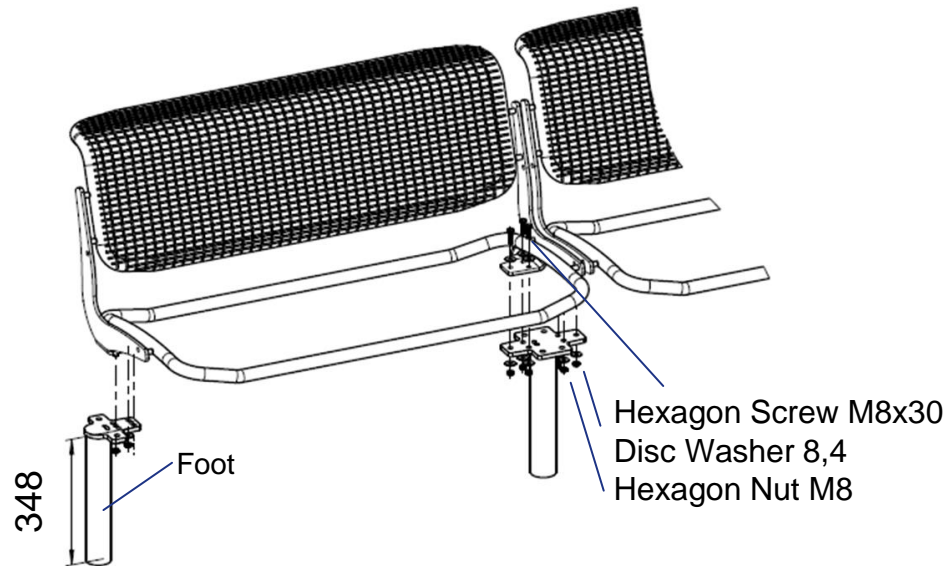
Maintenance- and Cleaning advice please see on www.erlau.com

Installation

Wall fixing



Olympia Nova Seat



Durability

Low Maintenance

Comfortable

ERLAU®
www.erlauuk.co.uk

Contact Us:

ERLAU UK

Casper Gimbrère

Sales Manager UK & Eire

Phone: 07423 – 431510

E-mail: casper.gimbrere@rud.co.uk

John Wilson

Business Park

Thanet Way

Whitstable

Kent CT5 3QT